

AIR TRAFFIC & DEFENSE

# AVITECH - AERONAUTICAL MESSAGE HANDLING CONNECTOR

Linking your legacy system with AMHS



- Quickly and easily connecting your application with AFTN/AMHS
- Offering a simple XML file interface
- Decoupling of application and communication
- Automatic conversion between AFTN and AMHS
- Flexible and customizable solution
- Multiple services/applications connectivity to AMHS network

## Introduction

---

The Avitech MHS CONNECTOR is a software component that allows for connecting third-party applications to the aviation messaging network without the need to handle all communication protocol aspects inside the third-party application itself.

Instead, a simple to use file based interface serves as a link between any AMHS COM Centre or Gateway and your own application, server, or system.

The Avitech MHS CONNECTOR is designed to run unattended without direct human interaction.

## Features

- AFTN and AMHS interface
- Exchange of messages via internal XML file interface
- MTS-Access (P3) and MS-Access (P7) Protocol
- Directory User Agent
- Support of messages with binary data (File Transfer Body Part)

## Detailed Product Description

### External interfaces and protocols

Avitech MHS CONNECTOR can be linked to any COM Centre via AFTN or AMHS interface. In case of AMHS, either the MTS-Access protocol (P3) or the MS-Access protocol (P7) is used. This way the Avitech MHS CONNECTOR acts as a User Agent.

### Exchange of messages via internal XML file interface

The Avitech MHS CONNECTOR exchanges messages originated by or addressed to the application with AFS users worldwide. It converts inbound messages to XML files which are then read and processed by the application. Vice-versa the application writes outbound messages into XML files. Avitech MHS CONNECTOR translates these into AFTN or AMHS messages and sends them to the next COM Centre.

### Directory User Agent

A built-in Directory User Agent supports the automatic translation of AFTN into AMHS addresses and vice-versa. Therefore, the application doesn't need to consider neither the format of AMHS addresses nor the correct mapping between AFTN and AMHS.

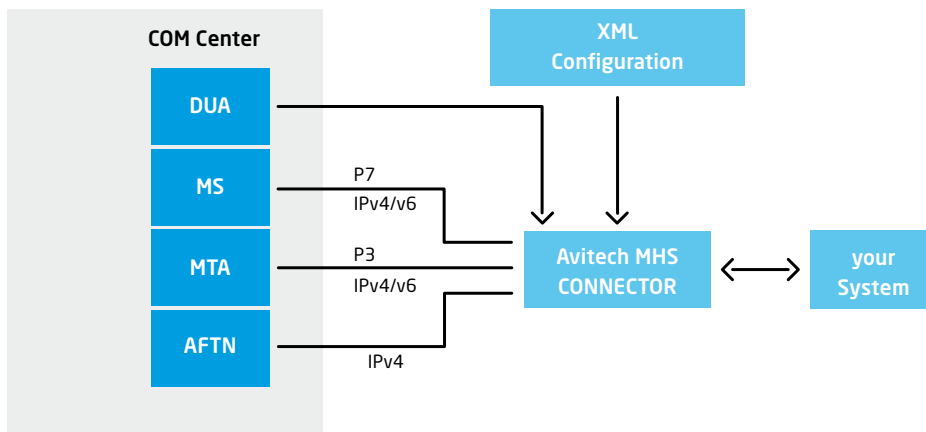
### Exchange of messages with binary data

The AMHS component of the Avitech MHS CONNECTOR allows the reception and transmission of messages with File Transfer Body Part (FTBP), thus enabling the application to exchange unstructured binary data with other AMHS users. Examples of such binary data are MET Charts, Digital NOTAMs and other XML based data.

### System requirements

Avitech MHS CONNECTOR can run on most common operating systems such as: RedHat Enterprise Linux 5&6, Debian Linux 7, Solaris 10, HP Integrity, Windows 7 & 8, Windows Server 2008 & 2012.

## Avitech MHS CONNECTOR Environment



## Conformance Statement

Avitech MHS CONNECTOR is designed to be compliant with relevant European and international regulations.

The AFTN component follows ICAO Standards and Recommended Practices of Annex 10 Vol. II – Communication Procedures including those with PANS status.

The AMHS component conforms with ICAO Doc 9880, (ICAO EUR-Doc 020, ICAO EUR-Doc 021 and EUROCONTROL Specification on the Air Traffic Services Message Handling System (AMHS).

[www.avitech.aero](http://www.avitech.aero)

**Avitech GmbH**  
 Bahnhofplatz 1  
 88045 Friedrichshafen / Germany  
 Phone: +49 (0) 7541 282-0  
 Fax: +49 (0) 7541 282-199  
 marketing@avitech.aero

**Avitech s.r.o.**  
 Prievozská 4  
 821 09 Bratislava / Slovakia  
 Phone: +421 (0) 2 55 64 28 01  
 Fax: +421 (0) 2 55 64 28 03

**Avitech GmbH**  
 Strahlenberger Weg 6  
 60599 Frankfurt a. M. / Germany  
 Phone: +49 (0) 69 60 60 98 94  
 Fax: +49 (0) 69 89 99 03 01

**Avitech GmbH**  
 Rudolf-Diesel-Straße 1 A  
 78467 Konstanz / Germany  
 Phone: +49 (0) 7531 69 63 55  
 Fax: +49 (0) 7531 69 63 15